

**This electronic collection of documents is provided
for the convenience of the user
and is Not a Certified Document –**

**The documents contained herein were originally issued
and sealed by the individuals whose names and license
numbers appear on each page, on the dates appearing
with their signature on that page.**

**This file or an individual page
shall not be considered a certified document.**

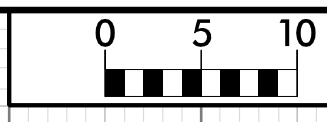
5/14/99

Note: Approximate quantities only. Unclassified Excavation, Fine Grading, Removal of Existing Asphalt Pavement, and Clearing and Grubbing, will be paid for at the contract lump sum price for "Grading."

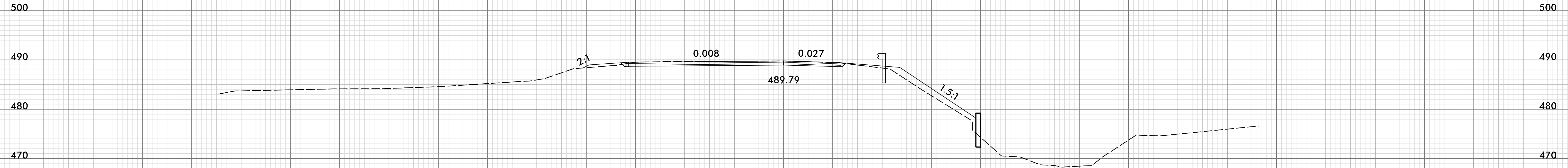
NOTE: EMBANKMENT COLUMN INCLUDES BACKFILL FOR UNDERCUT

CROSS-SECTION SUMMARY

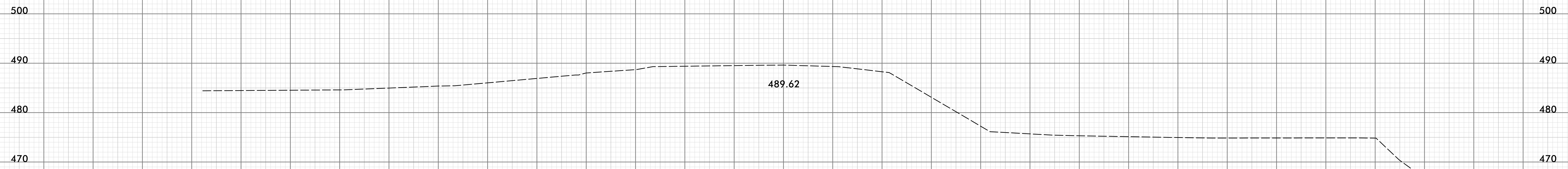
Station	Uncl. Exc.	Embt																		
L	(cu. yd.)	(cu. yd.)																		
12+40.0000	0	0																		
12+50.0000	16	6																		
13+00.0000	54	74																		
13+30.0000	13	37																		
13+50.0000	1	11																		
14+00.0000	0	50																		
14+50.0000	0	43																		



150 140 130 120 110 100 90 80 70 60 50 40 30 20 10 0 10 20 30 40 50 60 70 80 90 100 110 120 130 140 150



12 + 50.00

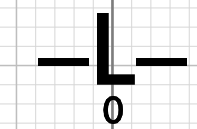


12 + 00.00

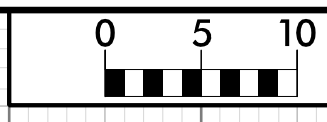


11 + 50.00

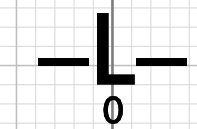
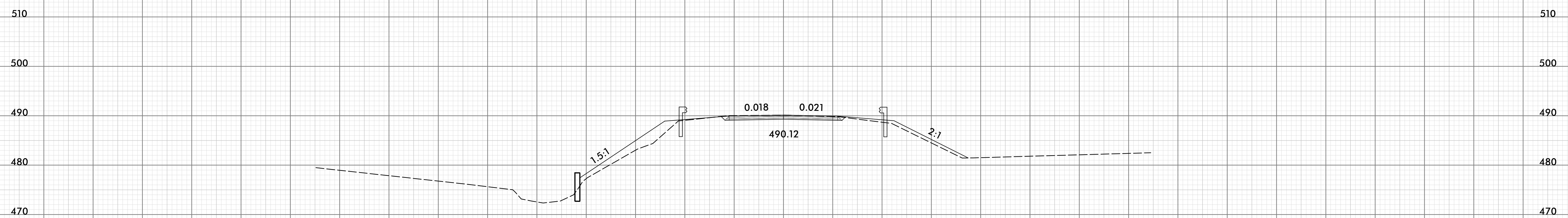
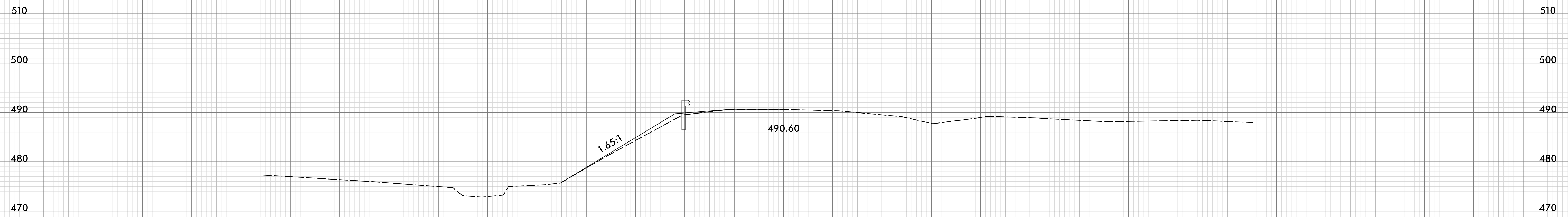
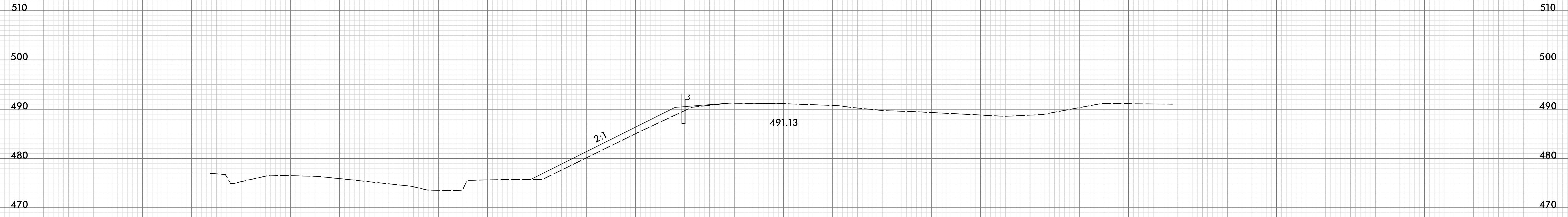
NOTE: Approximate quantities only. Unclassified Excavation, Borrow Excavation, Fine Grading, Clearing and Grubbing and Removal of Existing Pavement will be paid for at the contract lump sum price for "Grading."



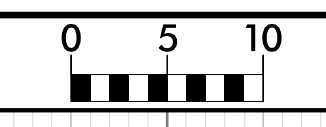
150 140 130 120 110 100 90 80 70 60 50 40 30 20 10 0 10 20 30 40 50 60 70 80 90 100 110 120 130 140 150



150 140 130 120 110 100 90 80 70 60 50 40 30 20 10 0 10 20 30 40 50 60 70 80 90 100 110 120 130 140 150



150 140 130 120 110 100 90 80 70 60 50 40 30 20 10 0 10 20 30 40 50 60 70 80 90 100 110 120 130 140 150



150 140 130 120 110 100 90 80 70 60 50 40 30 20 10 0 10 20 30 40 50 60 70 80 90 100 110 120 130 140 150

